



UNITED EXHAUST SYSTEMS

Exhaust Product Catalog

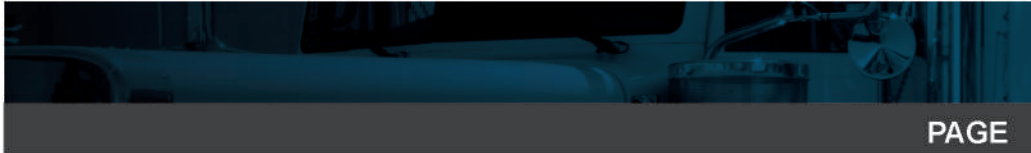


Quality.

Innovation.

Design.

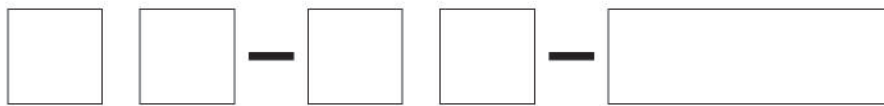




	PAGE
Curved Exhaust	3 - 4
Bull Exhaust	5
Mitred Exhaust	6 - 7
Straight Exhaust	7
Peterbilt 379 Exhaust Extension	8
Peterbilt 359 Exhaust Extension	9
Peterbilt Exhaust Elbow	10
Kenworth Exhaust Elbow	11
Freightliner Exhaust Elbow	12
Connector	13
Reducer	14
Exhaust Bracket/Brushing.....	15
Exhaust Clamps	16 - 17
Muffler Shield	17
Grab Handle/Display	18
Product Index	19

TABLE OF CONTENTS

Product I.D. Guide



1st Letter denotes type of exhaust

- B = Bull Horn
- C = Curved
- M = Mitred
- S = Straight

2nd number denotes exhaust bottom type

- 1 = Plain
- 2 = Expanded & Slotted
- 3 = Reducing Outer Diameter
- 4 = Reducing Interior Diameter

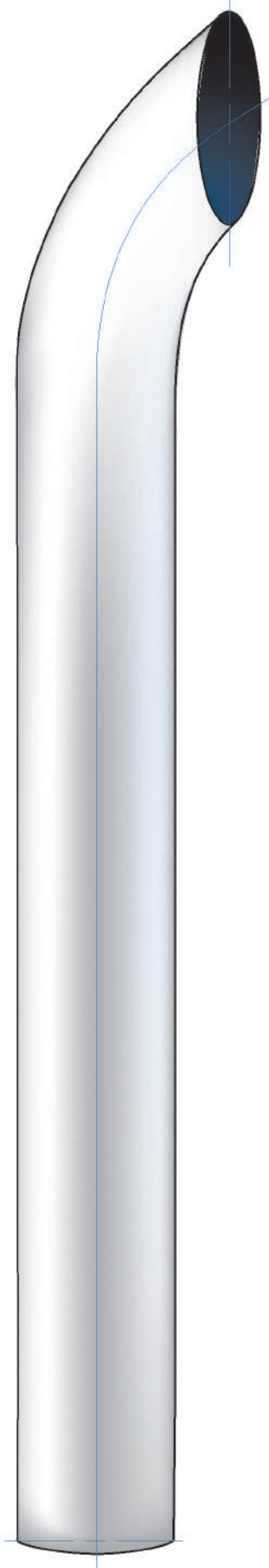
Middle set of number denotes exhaust diameter

- 5 = 5"
- 6 = 6"
- 7 = 7"
- 65 = 6" reducing to 5"
- 75 = 7" reducing to 5"
- 85 = 8" reducing to 5"

Last set of number denotes length of exhaust

- 12 = 12"
- 18 = 18"
- 24 = 24"
- 36 = 36"
- 48 = 48"
- 60 = 60"
- 72 = 72"
- 84 = 84"
- 96 = 96"
- 108 = 108"
- 120 = 120"

CURVED EXHAUST



5" Curved Plain Bottom

Item Number	Description	Length
C1-5-018	5" Plain Bottom Exhaust	18"
C1-5-024	5" Plain Bottom Exhaust	24"
C1-5-036	5" Plain Bottom Exhaust	36"
C1-5-048	5" Plain Bottom Exhaust	48"
C1-5-060	5" Plain Bottom Exhaust	60"
C1-5-072	5" Plain Bottom Exhaust	72"
C1-5-084	5" Plain Bottom Exhaust	84"
C1-5-096	5" Plain Bottom Exhaust	96"
C1-5-108	5" Plain Bottom Exhaust	108"

6" Curved Plain Bottom

Item Number	Description	Length
C1-6-018	6" Plain Bottom Exhaust	18"
C1-6-024	6" Plain Bottom Exhaust	24"
C1-6-036	6" Plain Bottom Exhaust	36"
C1-6-048	6" Plain Bottom Exhaust	48"
C1-6-060	6" Plain Bottom Exhaust	60"
C1-6-072	6" Plain Bottom Exhaust	72"
C1-6-096	6" Plain Bottom Exhaust	96"
C1-6-108	6" Plain Bottom Exhaust	108"
C1-6-120	6" Plain Bottom Exhaust	120"

7" Curved Plain Bottom

Item Number	Description	Length
C1-7-096	7" Plain Bottom Exhaust	96"
C1-7-108	7" Plain Bottom Exhaust	108"
C1-7-120	7" Plain Bottom Exhaust	120"

5" Curved Expanded/Slotted Bottom

Item Number	Description	Length
C2-5-036	5" Expanded/Slotted Bottom	36"
C2-5-048	5" Expanded/Slotted Bottom	48"
C2-5-060	5" Expanded/Slotted Bottom	60"

6" Curved Expanded/Slotted Bottom

Item Number	Description	Length
C2-6-036	6" Expanded/Slotted Bottom	36"
C2-6-048	6" Expanded/Slotted Bottom	48"
C2-6-060	6" Expanded/Slotted Bottom	60"
C2-6-096	6" Expanded/Slotted Bottom	96"
C2-6-108	6" Expanded/Slotted Bottom	108"
C2-6-120	6" Expanded/Slotted Bottom	120"

Plain Bottom



X"
Outer Diameter

Plain Bottom Exhausts are Measured by the Outer Diameter. For Example, 5" Plain Bottom Exhaust Means the Outer Diameter of the Exhaust Bottom is 5".

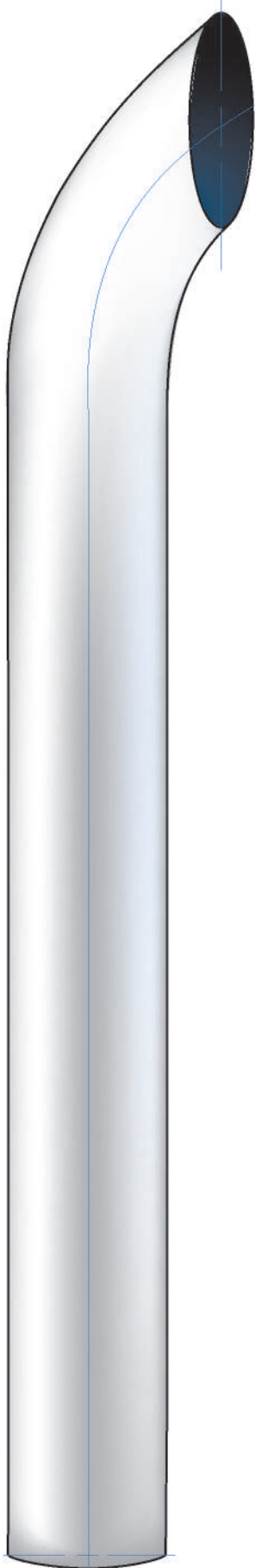
Expanded/ Slotted Bottom



X"
Inner Diameter

Expanded/Slotted Bottom Exhaust Fits Over a Connecting Exhaust. The Exhaust Bottom is Measured by the Inner Diameter. For Example, 5" Expanded/Slotted Bottom Exhaust Means the Inner Diameter of the Exhaust Bottom is 5" and Fits Over a 5" Outer Diameter Exhaust.

CURVED EXHAUST



6" Curved Reduce to 5" Outer Diameter Bottom

Item Number	Description	Length
C3-65-036	6" Reduce to 5" Outer Diameter	36"
C3-65-048	6" Reduce to 5" Outer Diameter	48"
C3-65-060	6" Reduce to 5" Outer Diameter	60"
C3-65-072	6" Reduce to 5" Outer Diameter	72"
C3-65-084	6" Reduce to 5" Outer Diameter	84"
C3-65-096	6" Reduce to 5" Outer Diameter	96"
C3-65-108	6" Reduce to 5" Outer Diameter	108"

7" Curved Reduce to 5" Outer Diameter Bottom

Item Number	Description	Length
C3-75-036	7" Reduce to 5" Outer Diameter	36"
C3-75-048	7" Reduce to 5" Outer Diameter	48"
C3-75-060	7" Reduce to 5" Outer Diameter	60"

8" Curved Reduce to 5" Outer Diameter Bottom

Item Number	Description	Length
C3-85-036	8" Reduce to 5" Outer Diameter	36"
C3-85-048	8" Reduce to 5" Outer Diameter	48"
C3-85-060	8" Reduce to 5" Outer Diameter	60"
C3-85-096	8" Reduce to 5" Outer Diameter	96"
C3-85-108	8" Reduce to 5" Outer Diameter	108"

Reduce to 5" Outer Diameter Bottom



Outer Diameter

Reduce to Outer Diameter Bottom Exhaust Fits **Inside** a Connecting Exhaust. The Exhaust Bottom is Measured by the Outer Diameter. For Example, the Bottom of the Exhaust is 5" in Outer Diameter and Fits Inside a 5" Inner Diameter Exhaust.

6" Curved Reduce to 5" Inner Diameter Bottom

Item Number	Description	Length
C4-65-072	6" Reduce to 5" Inner Diameter	72"
C4-65-084	6" Reduce to 5" Inner Diameter	84"
C4-65-096	6" Reduce to 5" Inner Diameter	96"
C4-65-108	6" Reduce to 5" Inner Diameter	108"
C4-65-120	6" Reduce to 5" Inner Diameter	120"

7" Curved Reduce to 5" Inner Diameter Bottom

Item Number	Description	Length
C4-75-096	7" Reduce to 5" Inner Diameter	96"
C4-75-108	7" Reduce to 5" Inner Diameter	108"

8" Curved Reduce to 5" Inner Diameter Bottom

Item Number	Description	Length
C4-85-096	8" Reduce to 5" Inner Diameter	96"
C4-85-108	8" Reduce to 5" Inner Diameter	108"

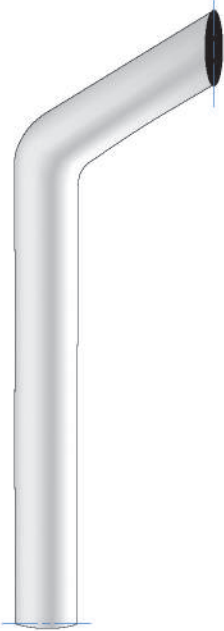
Reduce to 5" Inner Diameter Bottom



Inner Diameter

Reduce to Inner Diameter Bottom Exhaust Fits **Over** a Connecting Exhaust. The Exhaust Bottom is Measured by the Inner Diameter. For Example, the Bottom of the Exhaust is 5" in Inner Diameter and Fits Over a 5" Outer Diameter Exhaust.

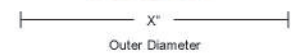
BULL EXHAUST



5" Bull Plain Bottom

Item Number	Description	Length
B1-5-024	5" Plain Bottom Exhaust	24"
B1-5-036	5" Plain Bottom Exhaust	36"
B1-5-048	5" Plain Bottom Exhaust	48"
B1-5-060	5" Plain Bottom Exhaust	60"
B1-5-096	5" Plain Bottom Exhaust	96"
B1-5-108	5" Plain Bottom Exhaust	108"
B1-5-120	5" Plain Bottom Exhaust	120"

Plain Bottom



6" Bull Plain Bottom

Item Number	Description	Length
B1-6-096	6" Plain Bottom Exhaust	96"
B1-6-108	6" Plain Bottom Exhaust	108"
B1-6-120	6" Plain Bottom Exhaust	120"

7" Bull Plain Bottom

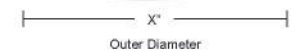
Item Number	Description	Length
B1-7-096	7" Plain Bottom Exhaust	96"
B1-7-108	7" Plain Bottom Exhaust	108"
B1-7-120	7" Plain Bottom Exhaust	120"



6" Bull Reduce to 5" Outer Diameter Bottom

Item Number	Description	Length
B3-65-036	6" Reduce to 5" Outer Diameter	36"
B3-65-048	6" Reduce to 5" Outer Diameter	48"
B3-65-060	6" Reduce to 5" Outer Diameter	60"
B3-65-072	6" Reduce to 5" Outer Diameter	72"
B3-65-084	6" Reduce to 5" Outer Diameter	84"
B3-65-096	6" Reduce to 5" Outer Diameter	96"
B3-65-108	6" Reduce to 5" Outer Diameter	108"

Reduce to 5" Outer Diameter Bottom

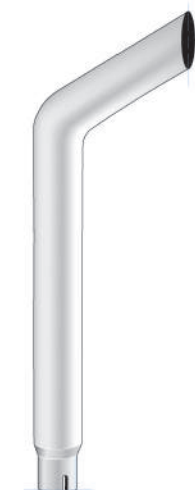


7" Bull Reduce to 5" Outer Diameter Bottom

Item Number	Description	Length
B3-75-036	7" Reduce to 5" Outer Diameter	36"
B3-75-048	7" Reduce to 5" Outer Diameter	48"
B3-75-060	7" Reduce to 5" Outer Diameter	60"

8" Bull Reduce to 5" Outer Diameter Bottom

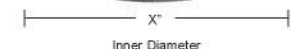
Item Number	Description	Length
B3-85-036	8" Reduce to 5" Outer Diameter	36"
B3-85-048	8" Reduce to 5" Outer Diameter	48"
B3-85-060	8" Reduce to 5" Outer Diameter	60"



6" Bull Reduce to 5" Inner Diameter Bottom

Item Number	Description	Length
B4-65-084	6" Reduce to 5" Inner Diameter	84"
B4-65-096	6" Reduce to 5" Inner Diameter	96"
B4-65-108	6" Reduce to 5" Inner Diameter	108"

Reduce to 5" Inner Diameter Bottom



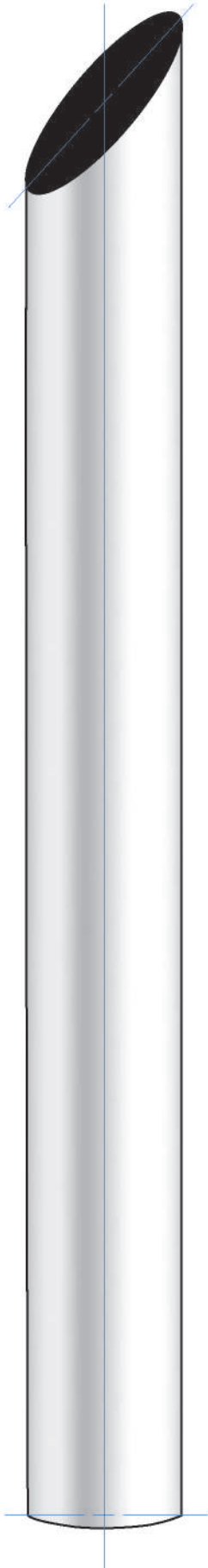
7" Bull Reduce to 5" Inner Diameter Bottom

Item Number	Description	Length
B4-75-096	7" Reduce to 5" Inner Diameter	96"
B4-75-108	7" Reduce to 5" Inner Diameter	108"

8" Bull Reduce to 5" Inner Diameter Bottom

Item Number	Description	Length
B4-85-096	8" Reduce to 5" Inner Diameter	96"
B4-85-108	8" Reduce to 5" Inner Diameter	108"

MITRED EXHAUST



5" Mitred Plain Bottom

Item Number	Description	Length
M1-5-024	5" Plain Bottom Exhaust	24"
M1-5-036	5" Plain Bottom Exhaust	36"
M1-5-048	5" Plain Bottom Exhaust	48"
M1-5-060	5" Plain Bottom Exhaust	60"

6" Mitred Plain Bottom - Mitred Exhaust

Item Number	Description	Length
M1-6-096	6" Plain Bottom Exhaust	96"
M1-6-108	6" Plain Bottom Exhaust	108"
M1-6-120	6" Plain Bottom Exhaust	120"

7" Mitred Plain Bottom - Mitred Exhaust

Item Number	Description	Length
M1-7-096	7" Plain Bottom Exhaust	96"
M1-7-108	7" Plain Bottom Exhaust	108"
M1-7-120	7" Plain Bottom Exhaust	120"

Plain Bottom



6" Mitred Expanded/Slotted Bottom

Item Number	Description	Length
M2-6-108	6" Expanded/Slotted Bottom	108"
M2-6-120	6" Expanded/Slotted Bottom	120"

6" Mitred Reduce to 5" Outer Diameter Bottom

Item Number	Description	Length
M3-65-024	6" Reduce to 5" Outer Diameter	24"
M3-65-036	6" Reduce to 5" Outer Diameter	36"
M3-65-048	6" Reduce to 5" Outer Diameter	48"
M3-65-060	6" Reduce to 5" Outer Diameter	60"
M3-65-072	6" Reduce to 5" Outer Diameter	72"
M3-65-084	6" Reduce to 5" Outer Diameter	84"
M3-65-096	6" Reduce to 5" Outer Diameter	96"
M3-65-108	6" Reduce to 5" Outer Diameter	108"

7" Mitred Reduce to 5" Outer Diameter Bottom

Item Number	Description	Length
M3-75-036	7" Reduce to 5" Outer Diameter	36"
M3-75-048	7" Reduce to 5" Outer Diameter	48"
M3-75-060	7" Reduce to 5" Outer Diameter	60"

8" Mitred Reduce to 5" Outer Diameter Bottom

Item Number	Description	Length
M3-85-036	8" Reduce to 5" Outer Diameter	36"
M3-85-048	8" Reduce to 5" Outer Diameter	48"
M3-85-060	8" Reduce to 5" Outer Diameter	60"
M3-85-096	8" Reduce to 5" Outer Diameter	96"
M3-85-108	8" Reduce to 5" Outer Diameter	108"

Expanded/ Slotted Bottom



Reduce to 5" Outer Diameter Bottom



Plain Bottom

Plain Bottom Exhausts are Measured by the Outer Diameter. For Example, 5" Plain Bottom Exhaust Means the Outer Diameter of the Exhaust Bottom is 5".

Expanded/ Slotted Bottom

Expanded/Slotted Bottom Exhaust Fits Over a Connecting Exhaust. The Exhaust Bottom is Measured by the Inner Diameter. For Example, 5" Expanded/Slotted Bottom Exhaust Means the Inner Diameter of the Exhaust Bottom is 5" and Fits Over a 5" Outer Diameter Exhaust.

Reduce to 5" Outer Diameter Bottom

Reduce to Outer Diameter Bottom Exhaust Fits Inside a Connecting Exhaust. The Exhaust Bottom is Measured by the Outer Diameter. For Example, the Bottom of the Exhaust is 5" in Outer Diameter and Fits Inside a 5" Inner Diameter Exhaust.

MITRED EXHAUST



6" Mitred Reduce to 5" Inner Diameter Bottom

Item Number	Description	Length
M4-65-072	6" Reduce to 5" Inner Diameter	72"
M4-65-084	6" Reduce to 5" Inner Diameter	84"
M4-65-096	6" Reduce to 5" Inner Diameter	96"
M4-65-108	6" Reduce to 5" Inner Diameter	108"
M4-65-120	6" Reduce to 5" Inner Diameter	120"

7" Mitred Reduce to 5" Inner Diameter Bottom

Item Number	Description	Length
M4-75-096	7" Reducing to 5" Inner Diameter	96"
M4-75-108	7" Reducing to 5" Inner Diameter	108"

8" Mitred Reduce to 5" Inner Diameter Bottom

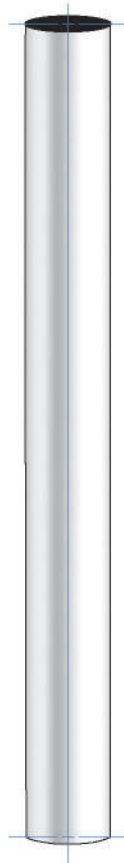
Item Number	Description	Length
M4-85-096	8" Reducing to 5" Inner Diameter	96"
M4-85-108	8" Reducing to 5" Inner Diameter	108"

Reduce to 5" Inner Diameter Bottom



Reduce to Inner Diameter Bottom Exhaust Fits **Over** a Connecting Exhaust. The Exhaust Bottom is Measured by the Inner Diameter. For Example, the Bottom of the Exhaust is 5" in Inner Diameter and Fits Over a 5" Outer Diameter Exhaust.

STRAIGHT EXHAUST



5" Plain Bottom

Item Number	Description	Length
S1-5-024	5" Plain Bottom Exhaust	24"
S1-5-036	5" Plain Bottom Exhaust	36"
S1-5-048	5" Plain Bottom Exhaust	48"
S1-5-060	5" Plain Bottom Exhaust	60"

Plain Bottom



Plain Bottom Exhausts are Measured by the Outer Diameter. For Example, 5" Plain Bottom Exhaust Means the Outer Diameter of the Exhaust Bottom is 5".

PETERBILT 379 EXHAUST EXTENSION - 58° ELBOW

Bull Horn Exhaust - Plain Bottom

Item Number	Description	Length
B1-6-096	6" Plain Bottom Exhaust	96"
B1-6-108	6" Plain Bottom Exhaust	108"
B1-6-120	6" Plain Bottom Exhaust	120"
B1-7-096	7" Plain Bottom Exhaust	96"
B1-7-108	7" Plain Bottom Exhaust	108"
B1-7-120	7" Plain Bottom Exhaust	120"

Curved Exhaust - Plain Bottom

Item Number	Description	Length
C1-6-096	6" Plain Bottom Exhaust	96"
C1-6-108	6" Plain Bottom Exhaust	108"
C1-6-120	6" Plain Bottom Exhaust	120"
C1-7-096	7" Plain Bottom Exhaust	96"
C1-7-108	7" Plain Bottom Exhaust	108"
C1-7-120	7" Plain Bottom Exhaust	120"

Mitred Exhaust - Plain Bottom

Item Number	Description	Length
M1-6-096	6" Plain Bottom Exhaust	96"
M1-6-108	6" Plain Bottom Exhaust	108"
M1-6-120	6" Plain Bottom Exhaust	120"
M1-7-096	7" Plain Bottom Exhaust	96"
M1-7-108	7" Plain Bottom Exhaust	108"
M1-7-120	7" Plain Bottom Exhaust	120"

Stainless Steel Butt Joint Exhaust Clamp w/ Bracket

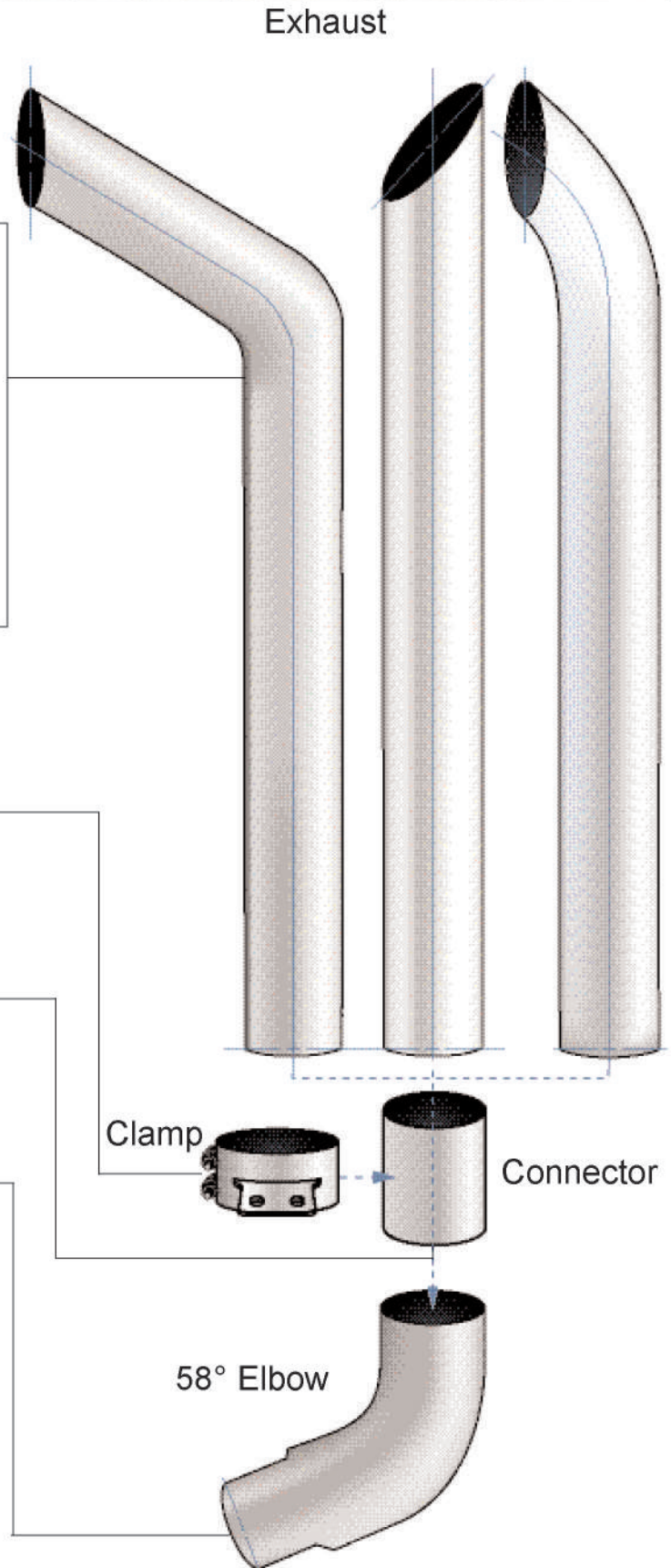
Item Number	Material	Diameter	Bracket	Pack
10320	Stainless	6"	Straight	Bulk = 1 Pc.
10321	Stainless	7"	Straight	Bulk = 1 Pc.

Exhaust Elbow Connector

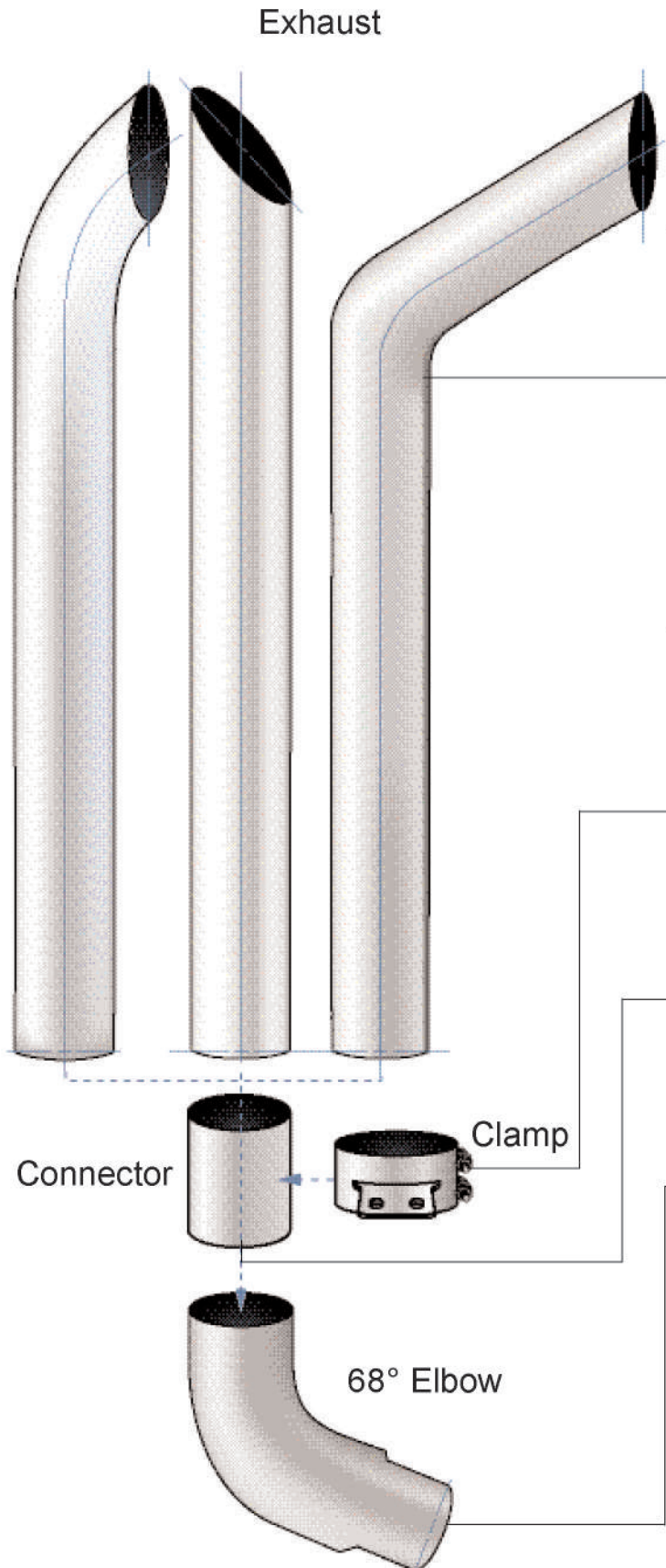
Item Number	Description	Diameter
EC-66	6" O.D. Plain Exhaust to 6" O.D. Elbow	5 3/4" O.D.
EC-77	7" O.D. Plain Exhaust to 7" O.D. Elbow	6 3/4" O.D.

Chrome Peterbilt 58° Exhaust Elbow - Peterbilt 379

Item Number	Description	Peterbilt Item Number
PB379-E58-65	6" Reduce to 5" O.D.	14-03056CP
PB379-E58-75	7" Reduce to 5" O.D.	14-03056CP



PETERBILT 359 EXHAUST EXTENSION - 68° ELBOW



Bull Horn Exhaust - Plain Bottom

Item Number	Description	Length
B1-6-096	6" Plain Bottom Exhaust	96"
B1-6-108	6" Plain Bottom Exhaust	108"
B1-6-120	6" Plain Bottom Exhaust	120"
B1-7-096	7" Plain Bottom Exhaust	96"
B1-7-108	7" Plain Bottom Exhaust	108"
B1-7-120	7" Plain Bottom Exhaust	120"

Curved Exhaust - Plain Bottom

Item Number	Description	Length
C1-6-096	6" Plain Bottom Exhaust	96"
C1-6-108	6" Plain Bottom Exhaust	108"
C1-6-120	6" Plain Bottom Exhaust	120"
C1-7-096	7" Plain Bottom Exhaust	96"
C1-7-108	7" Plain Bottom Exhaust	108"
C1-7-120	7" Plain Bottom Exhaust	120"

Mitred Exhaust - Plain Bottom

Item Number	Description	Length
M1-6-096	6" Plain Bottom Exhaust	96"
M1-6-108	6" Plain Bottom Exhaust	108"
M1-6-120	6" Plain Bottom Exhaust	120"
M1-7-096	7" Plain Bottom Exhaust	96"
M1-7-108	7" Plain Bottom Exhaust	108"
M1-7-120	7" Plain Bottom Exhaust	120"

Stainless Steel Butt Joint Exhaust Clamp w/ Bracket

Item Number	Material	Diameter	Bracket	Pack
10320	Stainless	6"	Straight	Bulk = 1 Pc.
10321	Stainless	7"	Straight	Bulk = 1 Pc.

Exhaust Elbow Connector

Item Number	Description	Diameter
EC-66	6" O.D. Plain Exhaust to 6" O.D. Elbow	5 3/4" O.D.
EC-77	7" O.D. Plain Exhaust to 7" O.D. Elbow	6 3/4" O.D.

Chrome Peterbilt 68° Exhaust Elbow - Peterbilt 359

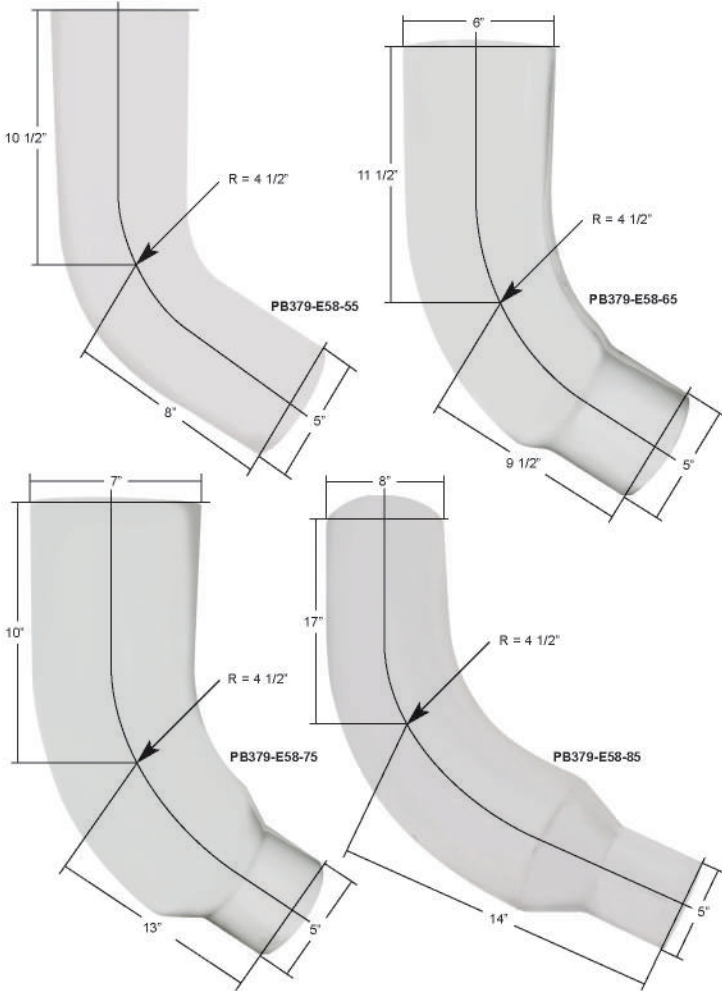
Item Number	Description	Peterbilt Item Number
PB359-E68-65	6" Reduce to 5" O.D.	14-01726C
PB359-E68-75	7" Reduce to 5" O.D.	14-01726C

Chrome Peterbilt 58° Exhaust Elbow - Peterbilt 379

Description

- Chrome 58° Angled Exhaust Elbow for Peterbilt 379
- Available in 4 Different Sizes
- Sold: Bulk = 1 Pc.

Item Number	Description	Peterbilt Item Number
PB379-E58-55	5" O.D.	14-03056CP
PB379-E58-65	6" Reduce to 5" O.D.	-
PB379-E58-75	7" Reduce to 5" O.D.	-
PB379-E58-85	8" Reduce to 5" O.D.	-

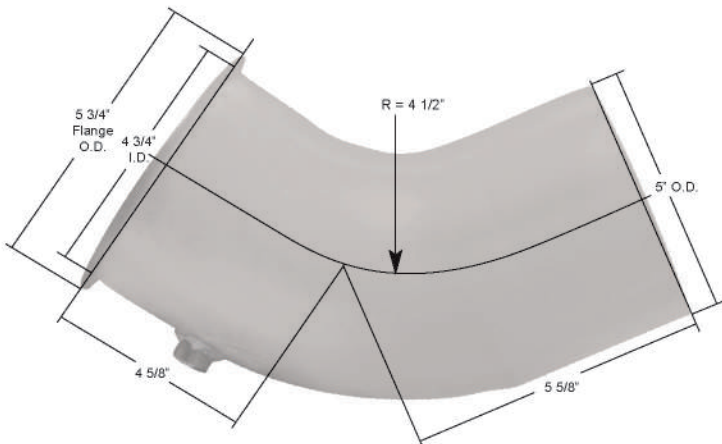


Peterbilt 379 Exhaust Elbow - 14-13430

Description

- Exhaust Elbow for Peterbilt 379
- Replace Peterbilt Item # 14-13430

Item Number	Peterbilt Item Number	Pack
PB379-13430	14-13430	Bulk = 1 Pc.

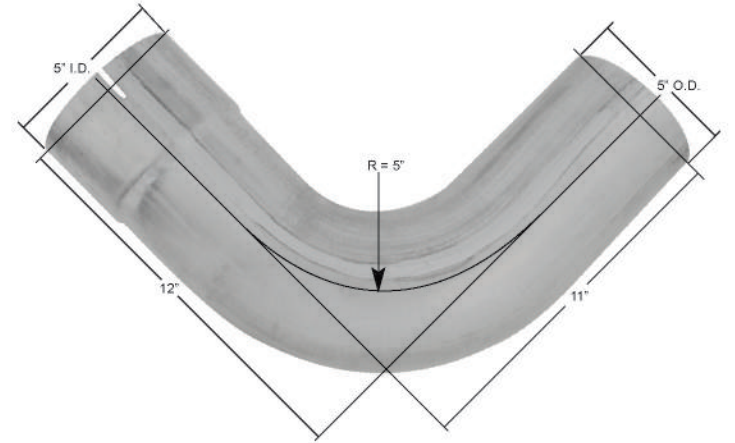


Peterbilt 379 Exhaust Elbow - Item 14-13433

Description

- 90° Exhaust Elbow for Peterbilt 379 Conventional
- Replaces Peterbilt Item # 14-13433

Item Number	Peterbilt Item Number	Pack
PB379-13433	14-13433	Bulk = 1 Pc.

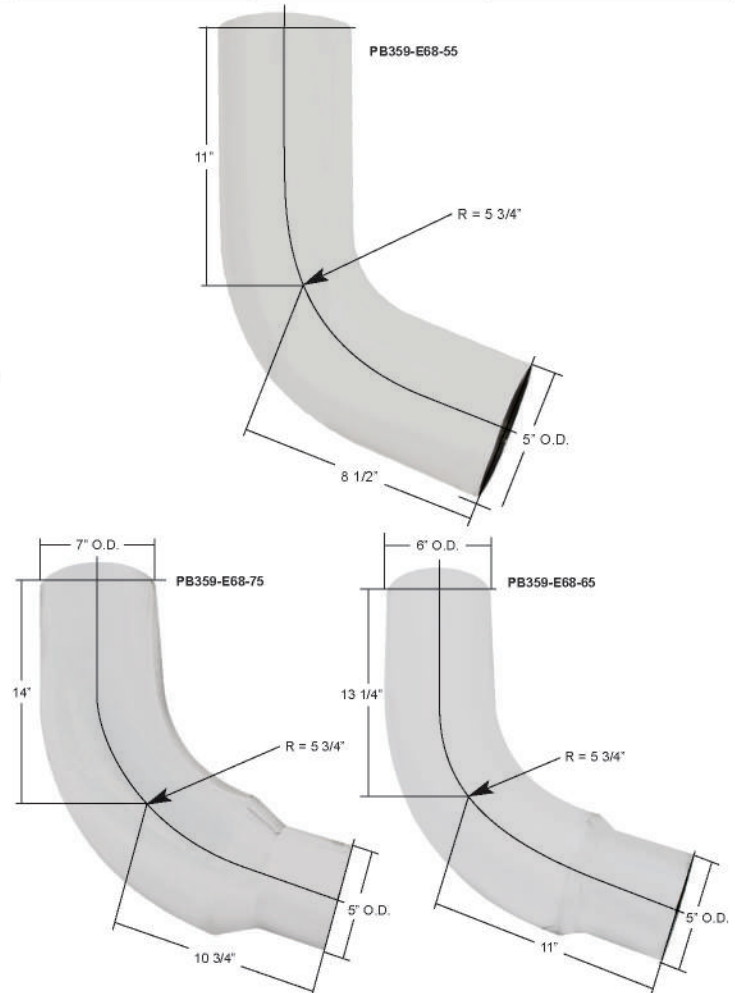


Chrome Peterbilt 68° Exhaust Elbow - Peterbilt 359

Description

- Chrome 68° Angled Exhaust Elbow for Peterbilt 359
- Available in 3 Different Sizes
- Sold: Bulk = 1 Pc.

Item Number	Description	Peterbilt Item Number
PB359-E68-55	5" O.D.	14-01726C
PB359-E68-65	6" Reduce to 5" O.D.	-
PB359-E68-75	7" Reduce to 5" O.D.	-

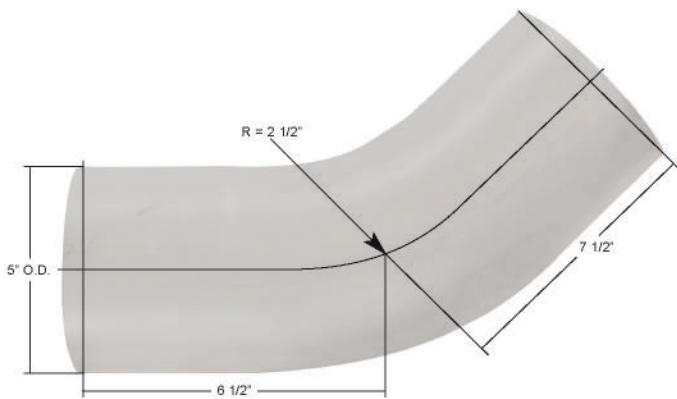


Kenworth 45° Exhaust Elbow - Item K180-13637

Description

- 45° Exhaust Elbow for Kenworth
- Replaces Kenworth Item # K180-13637
- Fits Kenworth W900B, W900L, T600, and T800 Models

Item Number	Kenworth Item Number	Pack
KW9T-13637	K180-13637	Bulk = 1 Pc.

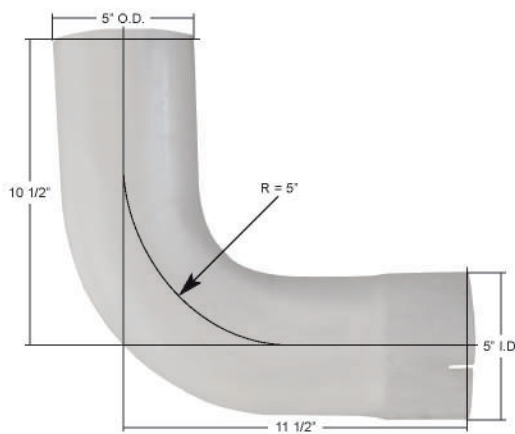


Kenworth 90° Exhaust Elbow - Item K180-8047

Description

- 90° Exhaust Elbow for Kenworth
- Replaces Kenworth Item # K180-8047
- Fits Kenworth W900B, W900L, T600, and T800 Models

Item Number	Kenworth Item Number	Pack
KW-8047	K180-8047	Bulk = 1 Pc.

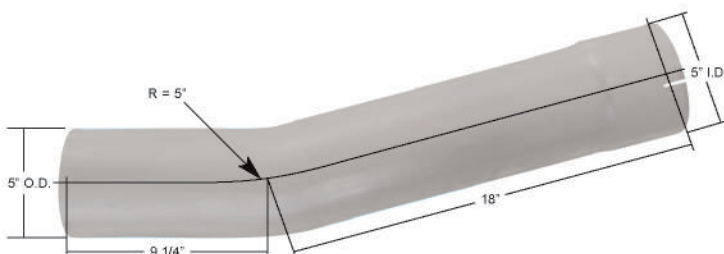


Kenworth Aerocab Exhaust Elbow - Item K180-18614

Description

- Exhaust Elbow for Kenworth Aerocab
- Replaces Kenworth Item # K180-18614

Item Number	Kenworth Item Number	Pack
KWA-18614	K180-18614	Bulk = 1 Pc.

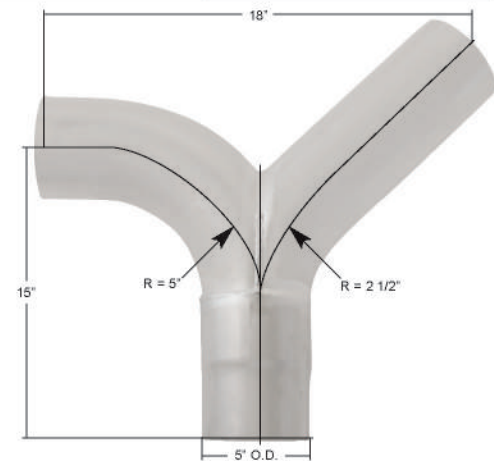


Kenworth Exhaust Y Divider - Item K180-18028

Description

- Exhaust Y-Divider for Kenworth
- Replaces Kenworth Item # K180-18028
- Fits Kenworth W900B, W900L, T600, and T800 Models

Item Number	Kenworth Item Number	Pack
KW9T-18028	K180-18028	Bulk = 1 Pc.

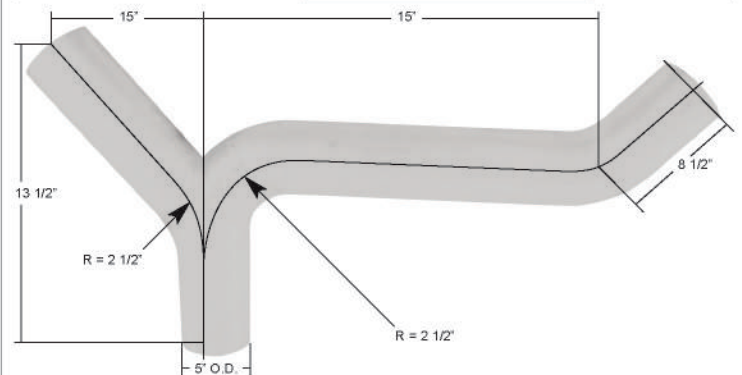


Kenworth Exhaust Y Divider - Item K180-14766

Description

- Exhaust Y-Divider for Kenworth
- Replaces Kenworth Item # K180-14766
- Fits Kenworth W900B, W900L, T600, and T800 Models

Item Number	Kenworth Item Number	Pack
KW9T-14766	K180-14766	Bulk = 1 Pc.

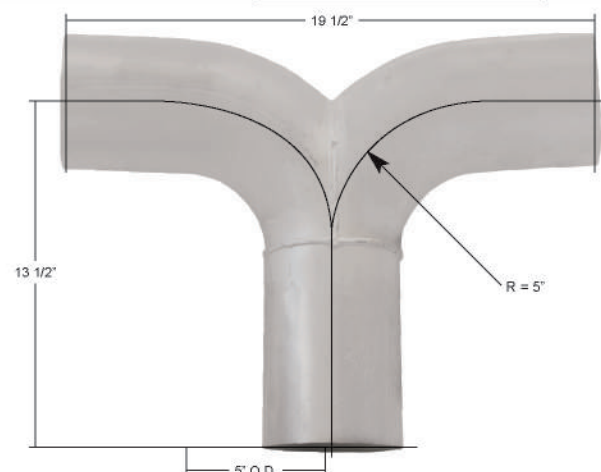


Kenworth Aerocab Exhaust Y Divider - Item K180-18613

Description

- Exhaust Y-Divider for Kenworth Aerocab
- Replaces Kenworth Item # K180-18613

Item Number	Kenworth Item Number	Pack
KWA-18613	K180-18613	Bulk = 1 Pc.

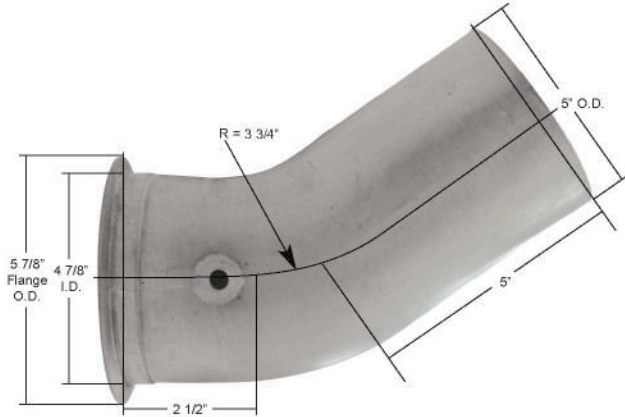


Freightliner Classic Exhaust Elbow - Item 04-16460-009

Description

- Exhaust Elbow for Freightliner Classic
- Replaces Freightliner Item # 04-16460-009

Item Number	Freightliner Item Number	Pack
FLCA-16460-009	04-16460-009	Bulk = 1 Pc.

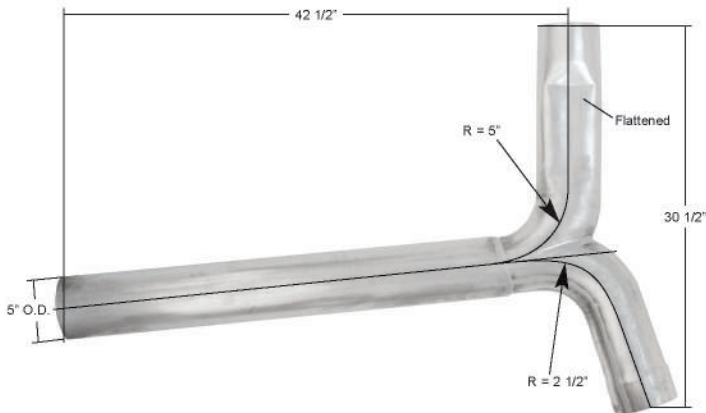


Freightliner Classic Exhaust Elbow - Item 04-16885-041

Description

- Exhaust Elbow for Freightliner Classic
- Replaces Freightliner Item # 04-16885-041

Item Number	Freightliner Item Number	Pack
FLCA-16885-041	04-16885-041	Bulk = 1 Pc.

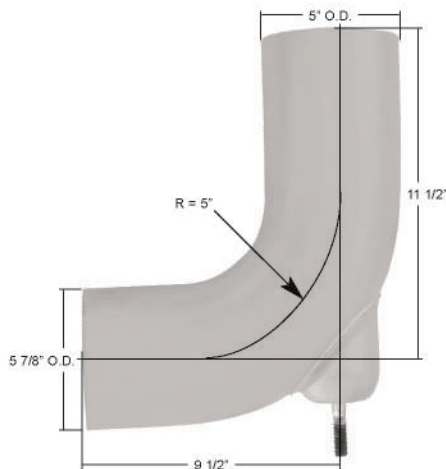


Freightliner Century Exhaust Elbow - Item 04-17476-000

Description

- 90° Exhaust Elbow for Freightliner Century
- Replaces Freightliner Item # 04-17476-000

Item Number	Freightliner Item Number	Pack
FLCE-17476-000	04-17476-000	Bulk = 1 Pc.

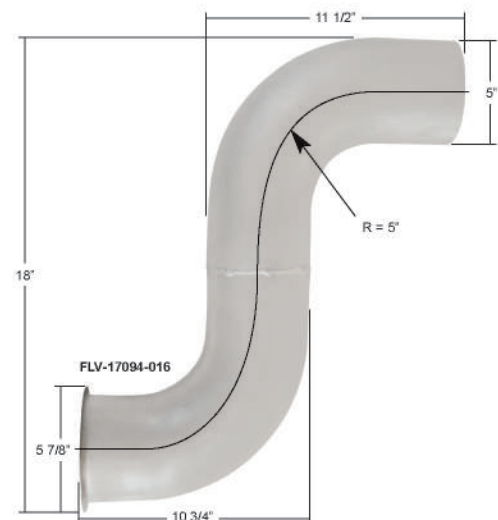
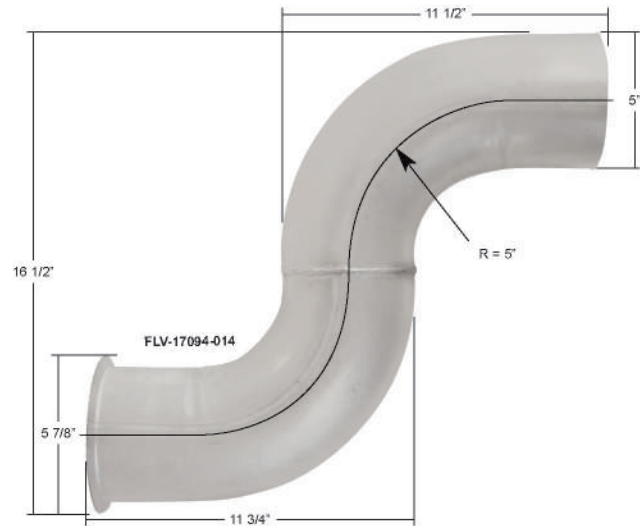
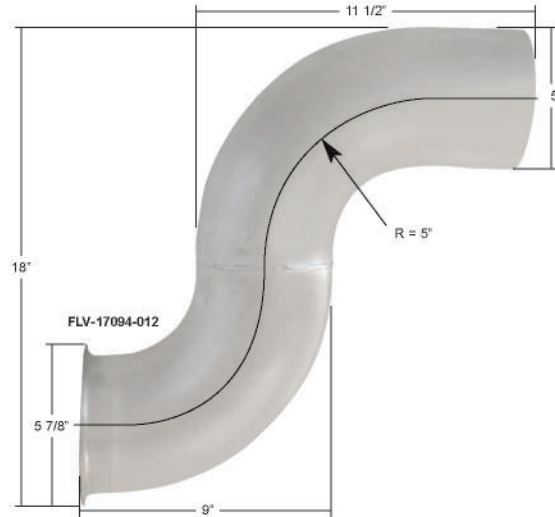


Freightliner Exhaust

Description

- Exhaust for Freightliner
- Fits Various Freightliner Models

Item Number	Freightliner Item Number	Pack
FLV-17094-012	04-17094-012	Bulk = 1 Pc.
FLV-17094-014	04-17094-014	Bulk = 1 Pc.
FLV-17094-016	04-17094-016	Bulk = 1 Pc.

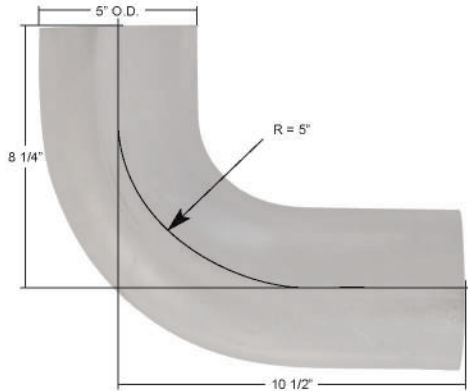


Freightliner 90° Exhaust Elbow - Item 04-09586-013

Description

- 90° Exhaust Elbow Replaces Freightliner Item # 04-9586-013
- Fits Various Freightliner Models

Item Number	Freightliner Item Number	Pack
FLV-09586-013	04-09586-013	Bulk = 1 Pc.

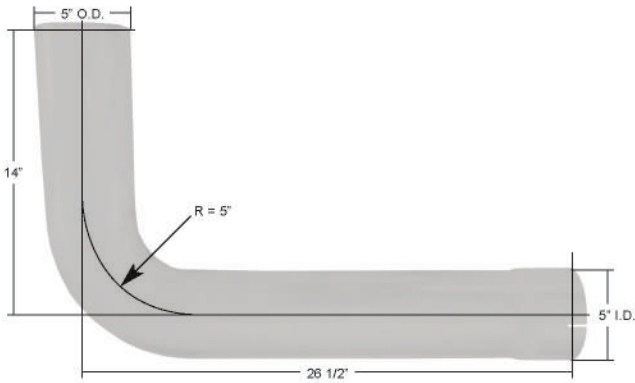


Freightliner 90° Exhaust Elbow - Item 04-09833-006

Description

- 90° Exhaust Elbow Replaces Freightliner Item # 04-09833-006
- Fits Various Freightliner Models

Item Number	Freightliner Item Number	Pack
FLV-09833-006	04-09833-006	Bulk = 1 Pc.

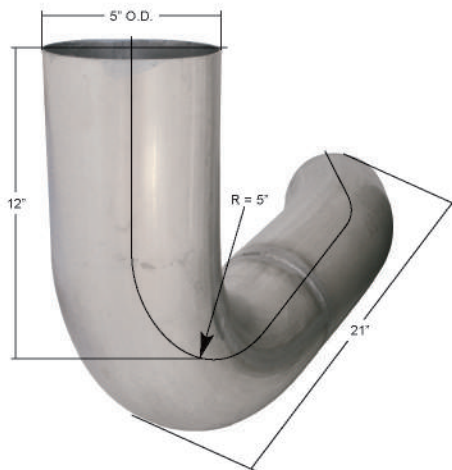


Freightliner Exhaust Elbow - Item 04-15653-000

Description

- Exhaust Elbow Replaces Freightliner Item # 04-15653-000
- Fits Various Freightliner Models

Item Number	Freightliner Item Number	Pack
FLV-15653-000	04-15653-000	Bulk = 1 Pc.

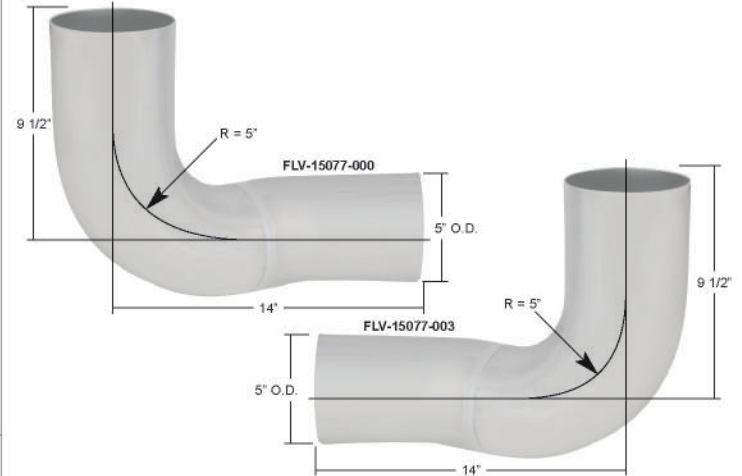


Freightliner Exhaust Elbow

Description

- Exhaust Elbow for Various Freightliner Models

Item Number	Freightliner Item Number	Pack
FLV-15077-000	04-15077-000	Bulk = 1 Pc.
FLV-15077-003	04-15077-003	Bulk = 1 Pc.

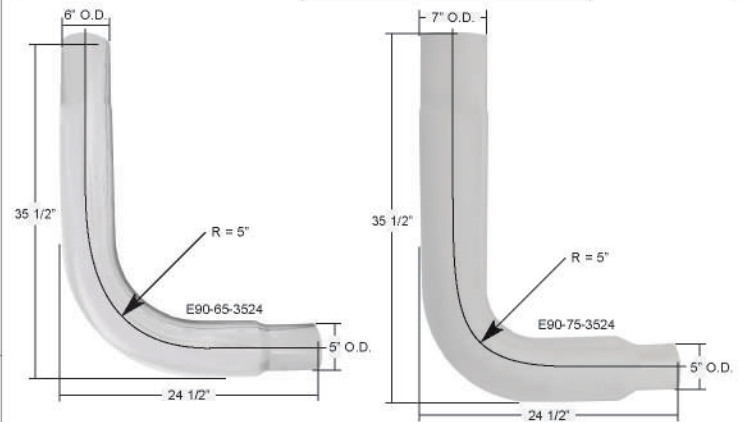


Chrome 90° Exhaust Elbow

Description

- Chrome 90° Angled Exhaust Elbow, 35 1/2" x 24 1/2"
- Available in 2 Different Sizes

Item Number	Freightliner Item Number	Pack
E90-65-3524	6" Reduce to 5" O.D.	Bulk = 1 Pc.
E90-75-3524	7" Reduce to 5" O.D.	Bulk = 1 Pc.



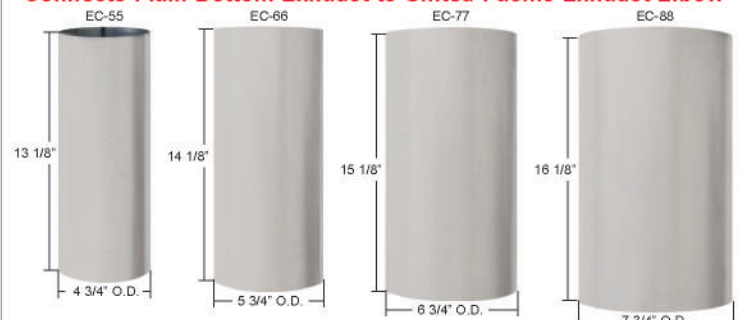
Exhaust Elbow Connector

Description

- Exhaust Elbow Connector, Connects Plain Bottom Exhaust to Elbow Pipe
- Available in 4 Different Sizes

Item Number	Description	Diameter
EC-55	5" O.D. Plain Exhaust to 5" O.D. Elbow	4 3/4"
EC-66	6" O.D. Plain Exhaust to 6" O.D. Elbow	5 3/4"
EC-77	7" O.D. Plain Exhaust to 7" O.D. Elbow	6 3/4"
EC-88	8" O.D. Plain Exhaust to 8" O.D. Elbow	7 3/4"

Connects Plain Bottom Exhaust to United Pacific Exhaust Elbow

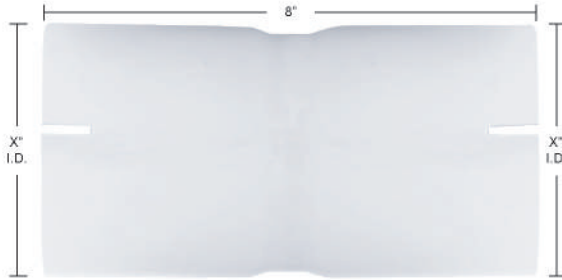


Connector I.D. to I.D.

Description

- Connector I.D. to I.D.
- Available in Aluminized and Chrome

Item Number	I.D.	I.D.	Material	Pack
CN-5-8A	5"	5"	Aluminized	Bulk = 1Pc.
CN-6-8A	6"	6"	Aluminized	Bulk = 1Pc.
CN-7-8A	7"	7"	Aluminized	Bulk = 1Pc.
CN-5-8C	5"	5"	Chrome	Bulk = 1Pc.
CN-6-8C	6"	6"	Chrome	Bulk = 1Pc.
CN-7-8C	7"	7"	Chrome	Bulk = 1Pc.

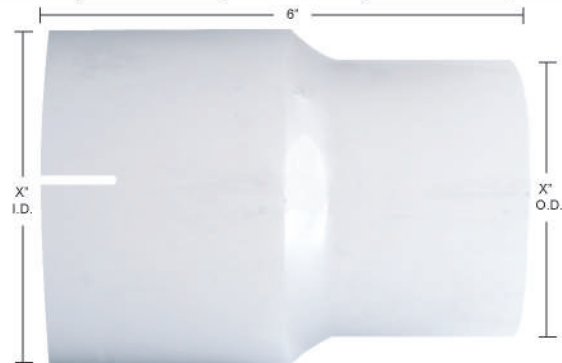


Connector I.D. to O.D.

Description

- Connector I.D. to O.D.
- Available in Aluminized and Chrome

Item Number	I.D.	O.D.	Material	Pack
CN-55-6A	5"	5"	Aluminized	Bulk = 1 Pc.
CN-66-6A	6"	6"	Aluminized	Bulk = 1 Pc.
CN-55-6C	5"	5"	Chrome	Bulk = 1 Pc.
CN-66-6C	6"	6"	Chrome	Bulk = 1 Pc.

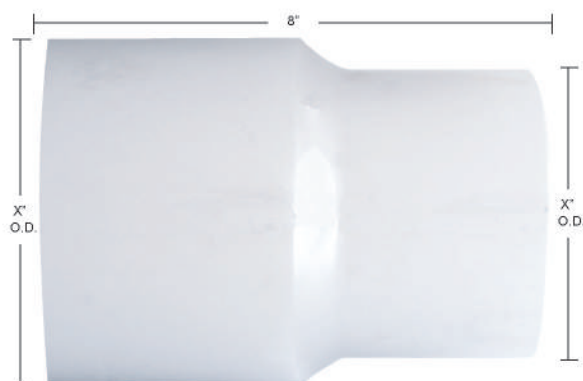


Reducers O.D. to O.D.

Description

- Reducers O.D. to O.D.
- Available in Aluminized and Chrome

Item Number	O.D.	O.D.	Material	Pack
RA-6050-8A	6"	5"	Aluminized	Bulk = 1Pc.
RC-6050-8C	6"	5"	Chrome	Bulk = 1Pc.
RC-7050-8C	7"	5"	Chrome	Bulk = 1Pc.

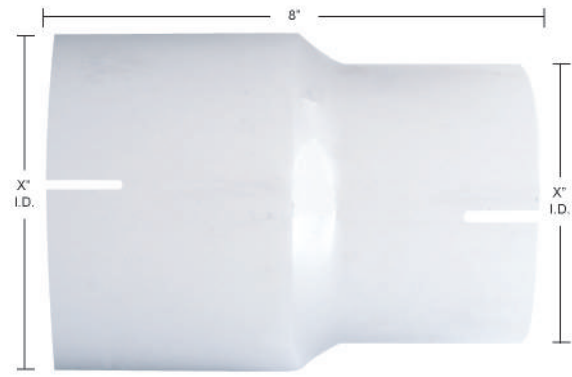


Reducers I.D. to I.D.

Description

- Reducers I.D. to I.D.
- Available in Aluminized and Chrome

Item Number	I.D.	I.D.	Material	Pack
RA-6151-8A	6"	5"	Aluminized	Bulk = 1Pc.
RC-6151-8C	6"	5"	Chrome	Bulk = 1Pc.
RC-7151-8C	7"	5"	Chrome	Bulk = 1Pc.



Reducers O.D. to I.D.

Description

- Reducers O.D. to I.D.
- Available in Aluminized and Chrome

Item Number	O.D.	I.D.	Material	Pack
RA-6051-8A	6"	5"	Aluminized	Bulk = 1Pc.
RC-6051-8C	6"	5"	Chrome	Bulk = 1Pc.
RC-7051-8C	7"	5"	Chrome	Bulk = 1Pc.

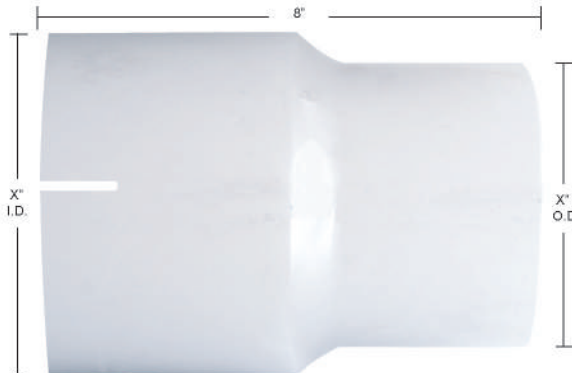


Reducers I.D. to O.D.

Description

- Reducers I.D. to O.D.
- Available in Aluminized and Chrome

Item Number	I.D.	O.D.	Material	Pack
RA-6150-8A	6"	5"	Aluminized	Bulk = 1Pc.
RC-6150-8C	6"	5"	Chrome	Bulk = 1Pc.
RC-7150-8C	7"	5"	Chrome	Bulk = 1Pc.



Stainless Steel Angled Peterbilt Exhaust Bracket

Description

- Stainless Steel Angled Exhaust Bracket for Peterbilt
- Peterbilt Part Number: 14-12998

Item Number	Description	Package	Pack
21325	Angled Exhaust Bracket	Bulk	1 Pc.



Stainless Steel Exhaust Bracket

Description

- Stainless Steel Lower Exhaust Bracket with Rubber Gasket
- Peterbilt Part Number: 14-12998

Item Number	Fits	Package	Pack
21299	Peterbilt 359/379	Clam Shell	1 Pc./Shell



Stainless Steel Exhaust Bracket

Description

- Stainless Steel Lower Exhaust Bracket with Rubber Gasket
- Peterbilt Part Number: 14-12998

Item Number	Fits	Package	Pack
21300	Flat Universal Design	Clam Shell	1 Pc./Shell



Rubber Gasket

Description

- Rubber Gasket for Stainless Steel Lower Exhaust Bracket

Item Number	Fits	Package	Pack
21299-1	Peterbilt 359/379	Bulk	1 Pc.



Exhaust Brushing

Description

- Polyurethane Brushing for Exhaust Clamps
- Available Carded or Bulk
- Peterbilt Part Number: 14-14656

Item Number	Description	Package	Pack
21351	Polyurethane Brushing	Carded	1 Pc./Card
21351B	Polyurethane Brushing	Bulk	1 Pc.
21352	Polyurethane Brushing	Carded	4 Pcs./Card



Stainless Rain Cap

Description

- Stainless Steel Rain Cap
- Fits Various Straight Stack, Available in 4 Different Sizes

Item Number	Description	Fits	Pack
21326	Stainless Steel Rain Cap	5"	Bulk = 1 Pc.
21327	Stainless Steel Rain Cap	6"	Bulk = 1 Pc.
21328	Stainless Steel Rain Cap	7"	Bulk = 1 Pc.
21329	Stainless Steel Rain Cap	8"	Bulk = 1 Pc.



Peterbilt Exhaust ClampDescription

- Exhaust Clamp for Peterbilt
- Available in Chrome or Stainless Steel

Item Number	Material	Diameter	Package	Pack
10294	Chrome	5"	Bulk	1 Pc.
10295	Chrome	6"	Bulk	1 Pc.
21331	Stainless	4"	Bulk	1 Pc.
21332	Stainless	5"	Bulk	1 Pc.
21295	Stainless	6"	Bulk	1 Pc.
21297	Stainless	7"	Bulk	1 Pc.

**Peterbilt Exhaust Clamp - Ultra Cab**Description

- Exhaust Clamp for Peterbilt Ultra Cab
- Available in Chrome or Stainless Steel

Item Number	Material	Diameter	Package	Pack
10293	Chrome	6"	Bulk	1 Pc.
21293	Stainless	6"	Bulk	1 Pc.
21294	Stainless	7"	Bulk	1 Pc.

**Peterbilt Cab Exhaust Bracket**Description

- Peterbilt Cab Exhaust Bracket with 1 1/2" x 3 3/8" Plate
- Available in Chrome or Stainless Steel

Item Number	Material	Diameter	Package	Pack
10286	Chrome	5"	Bulk	1 Pc.
10292	Chrome	6"	Bulk	1 Pc.
21286	Stainless	5"	Bulk	1 Pc.
21333	Stainless	6"	Bulk	1 Pc.

**Kenworth Exhaust Clamp**Description

- Exhaust Clamp for Kenworth
- Available in Chrome Only

Item Number	Material	Diameter	Package	Pack
10288	Chrome	5"	Bulk	1 Pc.
10289	Chrome	6"	Bulk	1 Pc.

**Kenworth Exhaust Clamp**Description

- Exhaust Clamp for Kenworth
- Available in Stainless Steel Only

Item Number	Material	Diameter	Package	Pack
21296	Stainless	6"	Bulk	1 Pc.
21292	Stainless	7"	Bulk	1 Pc.

**U-Bolt Exhaust Clamp**Description

- U-Bolt Exhaust Clamp
- Available in Chrome or Stainless Steel

Item Number	Material	Diameter	Package	Pack
10290	Chrome	5"	Bulk	1 Pc.
10291	Chrome	6"	Bulk	1 Pc.
21330	Stainless	4"	Bulk	1 Pc.
21290	Stainless	5"	Bulk	1 Pc.
21291	Stainless	6"	Bulk	1 Pc.
21298	Stainless	7"	Bulk	1 Pc.

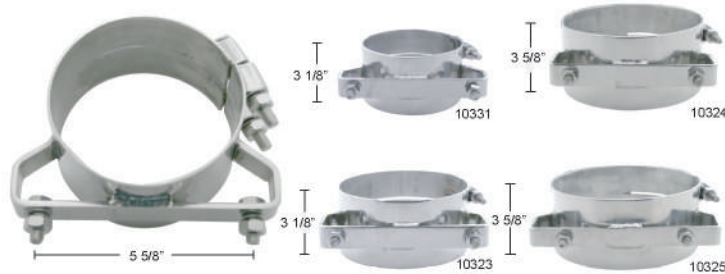


Deluxe Stainless Wide Band Exhaust Clamp

Description

- Deluxe Stainless Steel Wide Band Exhaust Clamp
- Fits Freightliner and Various Other Models
- Available in 3 Different Sizes with Deluxe 304 Stainless Steel

Item Number	Description	Size	Pack
10331	Wide Band Exhaust Clamp	5"	Bulk = 1 Pc.
10323	Wide Band Exhaust Clamp	6"	Bulk = 1 Pc.
10324	Wide Band Exhaust Clamp	7"	Bulk = 1 Pc.
10325	Wide Band Exhaust Clamp	8"	Bulk = 1 Pc.

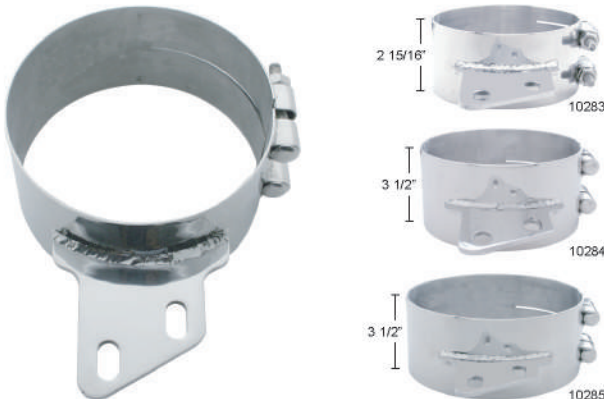


Stainless Butt Joint Exhaust Clamp - Angled Bracket

Description

- Stainless Steel Butt Joint Exhaust Clamp with Angled Bracket
- Available in 7" or 8" Diameter

Item Number	Material	Diameter	Package	Pack
10283	Stainless	6"	Bulk	1 Pc.
10284	Stainless	7"	Bulk	1 Pc.
10285	Stainless	8"	Bulk	1 Pc.

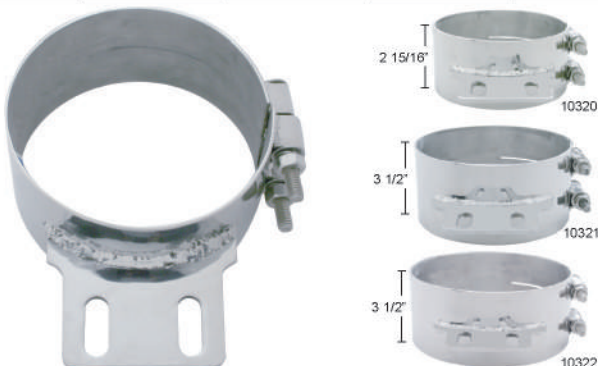


Stainless Butt Joint Exhaust Clamp - Straight Bracket

Description

- Stainless Steel Butt Joint Exhaust Clamp with Straight Bracket
- Available in 6", 7", or 8" Diameter

Item Number	Material	Diameter	Package	Pack
10320	Stainless	6"	Bulk	1 Pc.
10321	Stainless	7"	Bulk	1 Pc.
10322	Stainless	8"	Bulk	1 Pc.



Formed Exhaust Clamp

Description

- Stainless Steel Formed Exhaust Clamp with Pre-attached Hardware
- Available in 5" and 6" Diameters

Item Number	Material	Diameter	Package	Pack
21338	Stainless	5"	Bulk	1 Pc.
21339	Stainless	6"	Bulk	1 Pc.



270° Stainless 48" Exhaust Muffler Shield

Description

- 270° Stainless Steel 48" Exhaust Shield
- Mounting Bracket Included, Bracket Fits 9" or 10" Diameter Muffler
- Shield Available in 4 Different Styles: Plain, Round, Horizontal Slot, or Vertical Slot

270° Exhaust Shield - Plain

Item Number	Style	Degree	Length	Fit Dia.
21242	Plain	270°	48"	9"
21243	Plain	270°	48"	10"

270° Exhaust Shield - Round Cutout

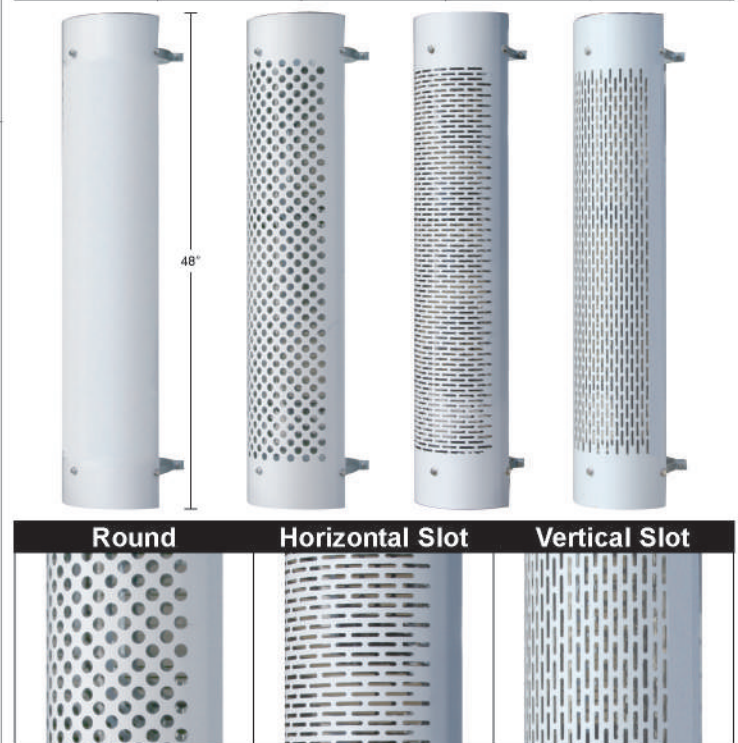
Item Number	Style	Degree	Length	Fit Dia.
21244	Round Cutout	270°	48"	9"
21245	Round Cutout	270°	48"	10"

270° Exhaust Shield - Horizontal Slot

Item Number	Style	Degree	Length	Fit Dia.
21246	Horizontal Slot	270°	48"	9"
21247	Horizontal Slot	270°	48"	10"

270° Exhaust Shield - Vertical Slot

Item Number	Style	Degree	Length	Fit Dia.
21248	Vertical Slot	270°	48"	9"
21249	Vertical Slot	270°	48"	10"

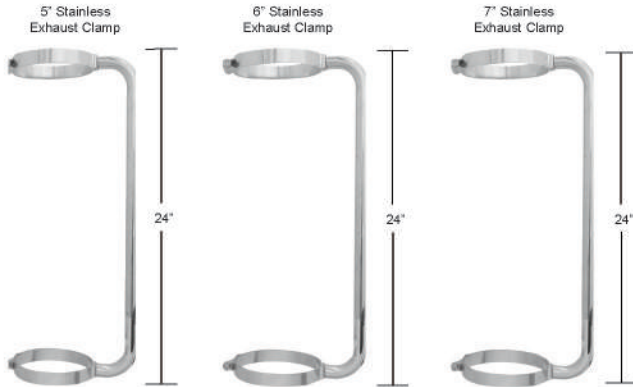


Stainless 24" Exhaust Grab Handle

Description

- Stainless Steel 24" Exhaust Grab Handle for 5", 6", and 7" Exhaust

Item Number	Description	Lengths	Material	Pack
21254	5" Clamp	24"	S.S.	1 Set/Box
21255	6" Clamp	24"	S.S.	1 Set/Box
21256	7" Clamp	24"	S.S.	1 Set/Box

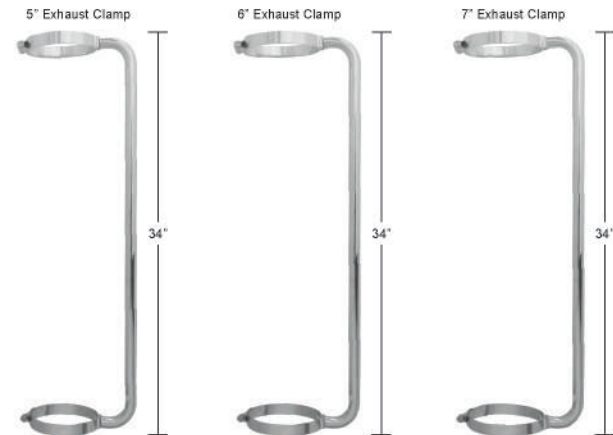


Chrome 34" Exhaust Grab Handle

Description

-Chrome 34" Exhaust Grab Handle for 5", 6", and 7" Exhaust

Item Number	Description	Package	Pack
21250	5" Exhaust Grab Handle	Boxed	1 Set/Box
21251	6" Exhaust Grab Handle	Boxed	1 Set/Box
21252	7" Exhaust Grab Handle	Boxed	1 Set/Box

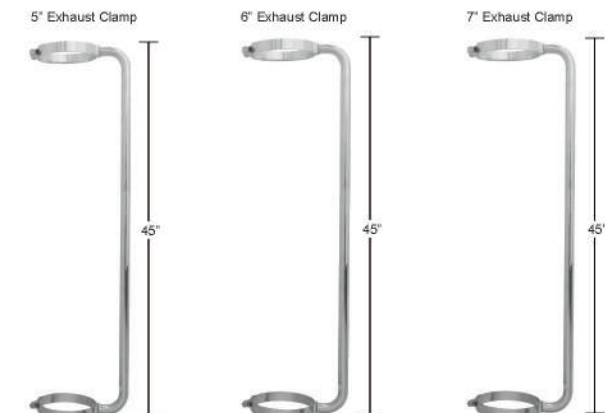


Chrome 45" Exhaust Grab Handle

Description

- Chrome 45" Exhaust Grab Handle for 5", 6", and 7" Exhaust

Item Number	Description	Lengths	Material	Pack
21306	5" Clamp	45"	Chrome	1 Set/Box
21307	6" Clamp	45"	Chrome	1 Set/Box
21308	7" Clamp	45"	Chrome	1 Set/Box

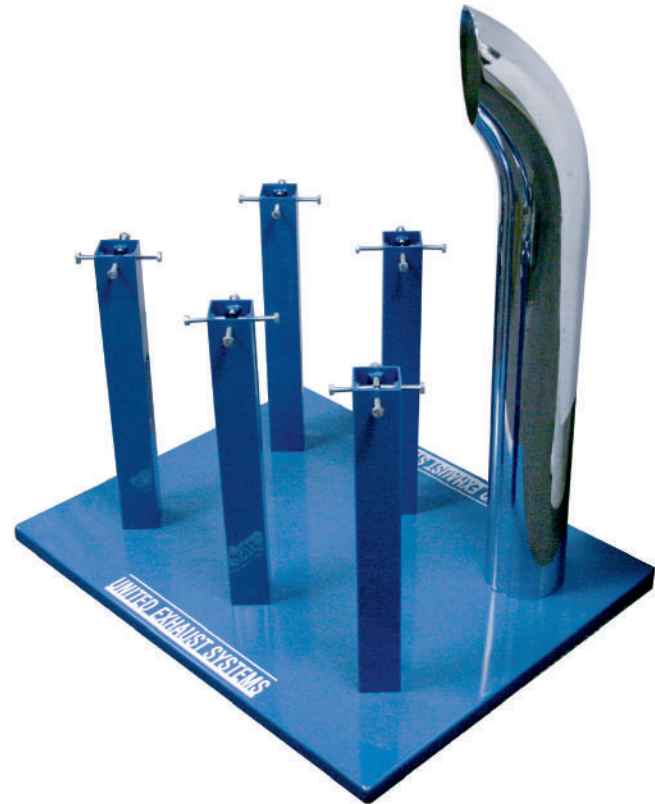


Exhaust Display

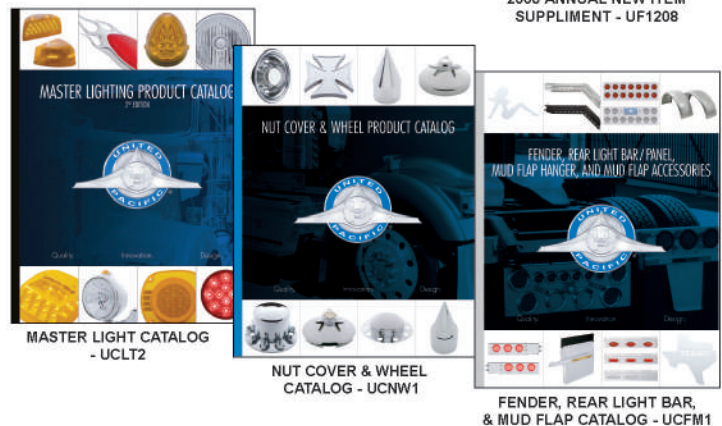
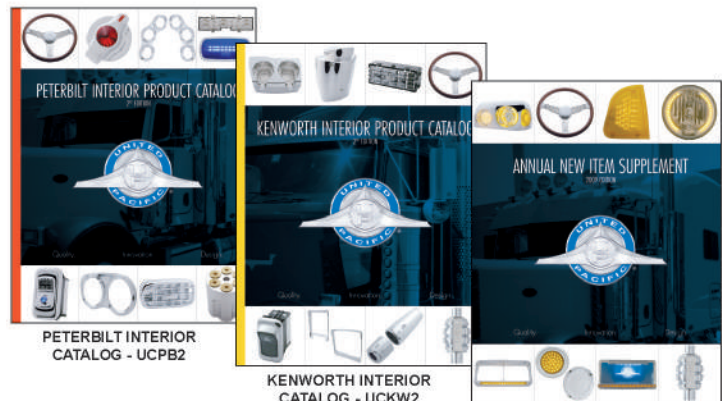
Description

- Display for United Exhaust Systems
- Exhaust Not Included, Assembly Required

Item Number	Description	Package	Pack
99017	Exhaust Display	Bulk	1 Set



Check out our Catalogs for our Full Line of Chrome and Accessories Products





PRODUCT INDEX

Item No.	Page No.	Item No.	Page No.	Item No.	Page No.	Item No.	Page No.	Item No.	Page No.	Item No.	Page No.
10283	17	21306	18	B4-65-108	5	C3-85-048	4	M1-5-024	6	RC-705I-8C	14
10284	17	21307	18	B4-75-096	5	C3-85-060	4	M1-5-036	6	RA-6I5O-8A	14
10285	17	21308	18	B4-75-108	5	C3-85-096	4	M1-5-060	6	RC-6I5O-8C	14
10286	16	21325	15	B4-85-096	5	C3-85-108	4	M1-6-096	6,8,9	RC-7I5O-8C	14
10288	16	21326	15	B4-85-108	5	C4-65-072	4	M1-6-108	6,8,9	RA-6I5I-8A	14
10289	16	21327	15	C1-5-018	3	C4-65-084	4	M1-6-120	6,8,9	RC-6I5I-8C	14
10290	16	21328	15	C1-5-024	3	C4-65-096	4	M1-7-096	6,8,9	RC-7I5I-8C	14
10291	16	21329	15	C1-5-036	3	C4-65-108	4	M1-7-108	6,8,9	RA-6O5O-8A	14
10292	16	21330	16	C1-5-048	3	C4-65-120	4	M1-7-120	6,8,9	RC-6O5O-8C	14
10293	16	21331	16	C1-5-060	3	C4-75-096	4	M2-6-108	6	RC-7O5O-8C	14
10294	16	21332	16	C1-5-072	3	C4-75-108	4	M2-6-120	6	S1-5-024	7
10295	16	21333	16	C1-5-084	3	C4-85-096	4	M3-65-024	6	S1-5-036	7
10320	8,9,17	21338	17	C1-5-096	3	C4-85-108	4	M3-65-036	6	S1-5-048	7
10321	8,9,17	21339	17	C1-5-108	3	CN-5-8A	14	M3-65-048	6	S1-5-060	7
10322	17	21351	15	C1-6-018	3	CN-6-8A	14	M3-65-060	6		
10323	17	21351B	15	C1-6-024	3	CN-7-8A	14	M3-65-072	6		
10324	17	21352	15	C1-6-036	3	CN-5-8C	14	M3-65-084	6		
10325	17	99017	18	C1-6-048	3	CN-6-8C	14	M3-65-096	6		
10331	17	B1-5-024	5	C1-6-060	3	CN-7-8C	14	M3-65-108	6		
21242	17	B1-5-036	5	C1-6-072	3	CN-55-6A	14	M3-75-036	6		
21243	17	B1-5-048	5	C1-6-096	3,8,9	CN-66-6A	14	M3-75-048	6		
21244	17	B1-5-060	5	C1-6-108	3,8,9	CN-55-6C	14	M3-75-060	6		
21245	17	B1-5-096	5	C1-6-120	3,8,9	CN-66-6C	14	M3-85-048	6		
21246	17	B1-5-108	5	C1-7-096	3,8,9	E90-65-3524	13	M3-85-060	6		
21247	17	B1-5-120	5	C1-7-108	3,8,9	E90-75-3524	13	M3-85-096	6		
21248	17	B1-6-096	5,8,9	C1-7-120	3,8,9	EC-55	13	M3-85-108	6		
21249	17	B1-6-108	5,8,9	C2-5-036	3	EC-66	13	M4-65-072	7		
21250	18	B1-6-120	5,8,9	C2-5-048	3	EC-77	13	M4-65-084	7		
21251	18	B1-7-096	5,8,9	C2-5-060	3	EC-88	13	M4-65-096	7		
21252	18	B1-7-108	5,8,9	C2-6-036	3	FLCA-16460-009	12	M4-65-108	7		
21254	18	B1-7-120	5,8,9	C2-6-048	3	FLCA-16885-041	12	M4-65-120	7		
21255	18	B3-65-036	5	C2-6-060	3	FLCE-17476-000	12	M4-75-096	7		
21256	18	B3-65-048	5	C2-6-096	3	FLV-09586-013	13	M4-75-108	7		
21286	16	B3-65-060	5	C2-6-108	3	FLV-09833-006	13	M4-85-096	7		
21290	16	B3-65-072	5	C2-6-120	3	FLV-15077-000	13	M4-85-108	7		
21291	16	B3-65-084	5	C3-65-036	4	FLV-15077-003	13	PB359-E68-55	10		
21292	16	B3-65-096	5	C3-65-048	4	FLV-15653-000	13	PB659-E68-65	9,10		
21293	16	B3-65-108	5	C3-65-060	4	FLV-17094-012	12	PB359-E68-75	9,10		
21294	16	B3-75-036	5	C3-65-072	4	FLV-17094-014	12	PB379-13430	10		
21295	16	B3-75-048	5	C3-65-084	4	FLV-17094-016	12	PB379-13433	10		
21296	16	B3-75-060	5	C3-65-096	4	KW-8407	11	PB379-E58-55	10		
21297	16	B3-85-036	5	C3-65-108	4	KW9T-13637	11	PB379-E58-65	8,10		
21298	16	B3-85-048	5	C3-75-036	4	KW9T-14766	11	PB379-E58-75	8,10		
21299	15	B3-85-060	5	C3-75-048	4	KW9T-18028	11	PB379-E58-85	10		
21299-1	15	B4-65-084	5	C3-75-060	4	KWA-18613	11	RA-6O5I-8A	14		
21300	15	B4-65-096	5	C3-85-036	4	KWA-18614	11	RC-6O5I-8C	14		

Oversize Exhaust Item Freight Policy

Applies to 60" or Longer Exhaust

- Freight will be prepaid by United Pacific if the total orders of **all** combined items exceed \$4,000.00 (net US): To Clarify, there will not be additional charges for 60" or longer exhaust included on the order. This allows United Pacific customers to order small quantities of our 60" or longer Exhaust with regular order. Again, total order must exceed \$4,000.00 or there will be an additional freight cost added to the order for the larger items.
- Freight will be prepaid by United Pacific if a customer orders a total of \$2,500 (net US) where the total order is comprised of 60" or longer Exhaust only. NOTE: If the order is below \$2,500, United Pacific will add freight cost to the order.



UNITED PACIFIC INDUSTRIES

1751 East Del Amo Blvd.
Carson, CA 90746
Tel: (310) 638-5988 / Fax: (310) 638-6287
Toll Free: (800) 790-6988
www.uapac.com
sales@uapac.com

UCEH1
EXHAUST PRODUCT CATALOG



7 10270 09502 5

